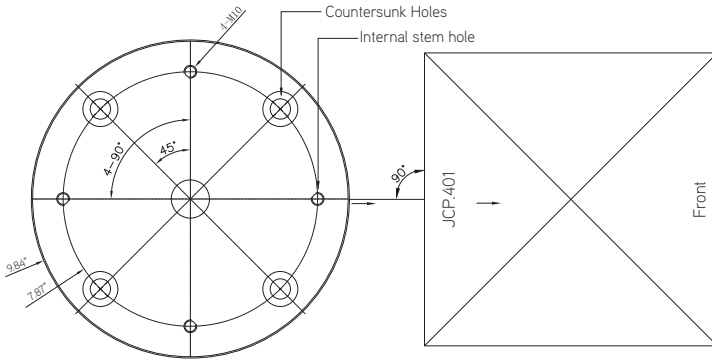
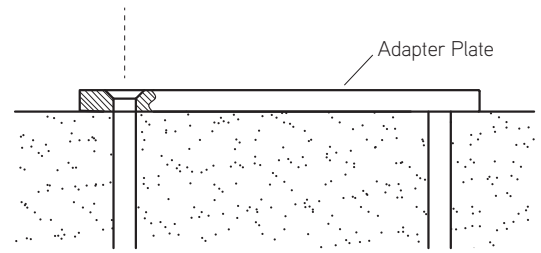


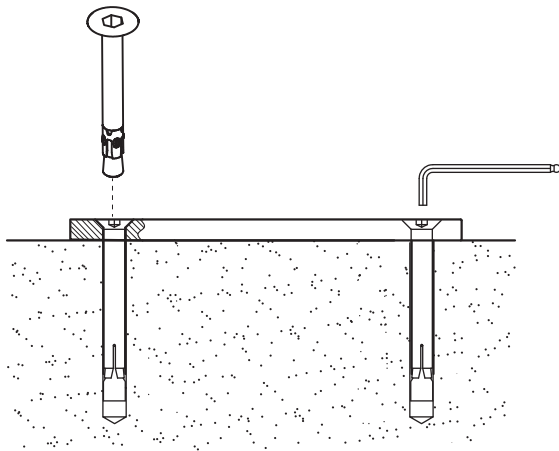
**1** To achieve the exact desired position of the JCP401, it is imperative that the adapter plate and internal stem be aligned correctly. One of the 4 internal stem holes must face direction of umbrella. Drill (4) holes on concrete according to countersunk holes in diagram below. Hole depth should be no less than 4" / 100mm.



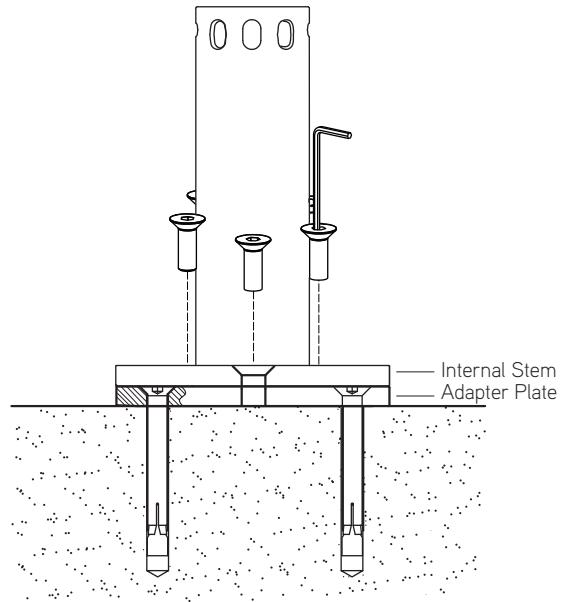
**2** Make sure all adapter plate holes align with drilled holes in concrete.



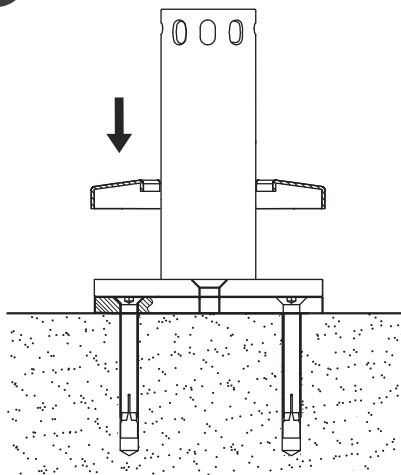
**3** Insert (4) expansion bolts into countersunk holes and tighten using an allen wrench.



**4** Align internal stem holes with adapter plate holes. Insert (4) stem bolts and tighten using an allen wrench to secure. **Note:** Internal stem and stem bolts are included with the umbrella.



**5** Slide internal stem cover over internal stem.



**DISCLAIMER:**  
ALL MOUNT KITS SHOULD ONLY BE PROFESSIONALLY INSTALLED BY A LICENSED CONTRACTOR DULY QUALIFIED TO PERFORM THE INSTALLATION. JARDINICO® ASSUMES NO LIABILITY AND EXPRESSLY DISCLAIMS ANY RESPONSIBILITY FOR INJURIES OR DAMAGES ARISING FROM OR RELATED TO THE FAILURE OF BUYER TO HAVE ANY MOUNT KIT INSTALLED BY A LICENSED PROFESSIONAL CONTRACTOR. JARDINICO MAKES NO WARRANTY EXCEPT AS EXPRESSLY STATED HEREIN, AND NO WARRANTY EXCEPT TITLE TO MATERIALS FURNISHED SHALL BE IMPLIED WITH RESPECT TO THIS ORDER.

**DISCLAIMER OF WARRANTIES:** EXCEPT AS HEREIN EXPRESSLY SET FORTH, THIS PRODUCT IS SOLD "AS IS" AND "WITH ALL FAULTS", AND WITHOUT ANY IMPLIED WARRANTY OF MERCHANTABILITY -- WHICH WARRANTY IS HEREBY EXPRESSLY EXCLUDED. THIS PRODUCT IS SOLD WITHOUT ANY IMPLIED WARRANTY OF FITNESS FOR A PARTICULAR PURPOSE -- WHICH WARRANTY IS HEREBY EXPRESSLY EXCLUDED. MOREOVER, THERE ARE NO WARRANTIES WHICH EXTEND BEYOND THE DESCRIPTION ON THE FACE HEREOF."