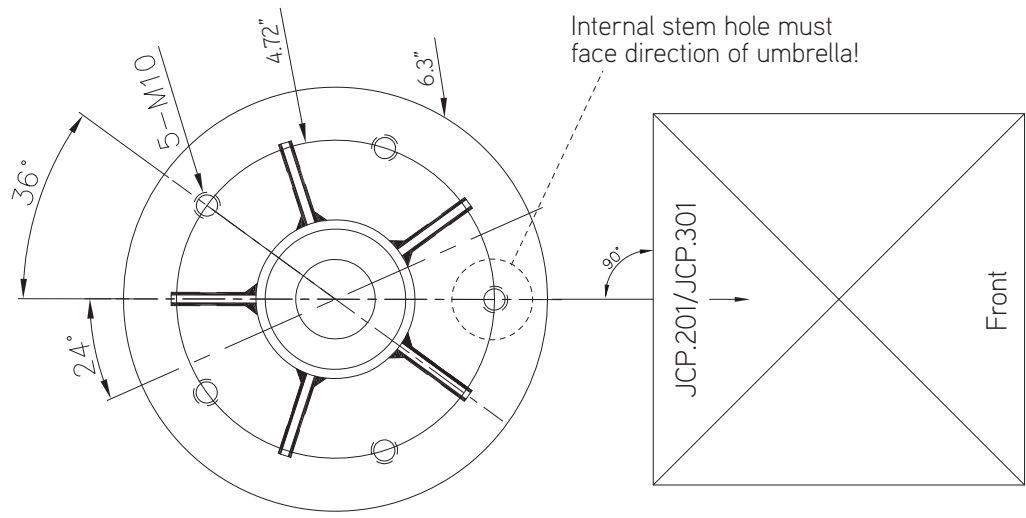


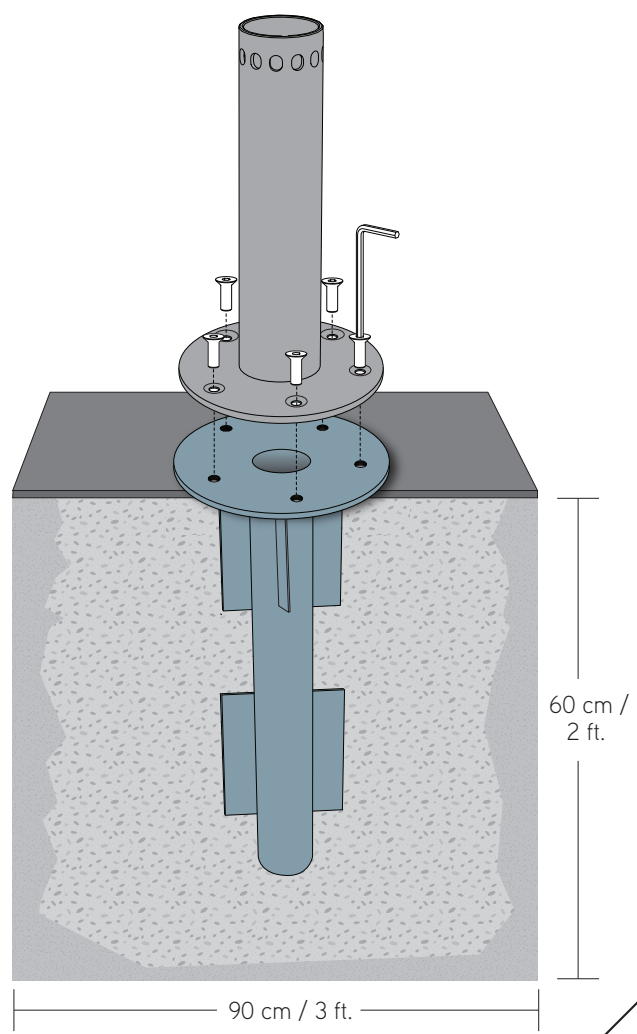
1 To achieve the exact desired position of the JCP201/301, it is imperative that the installation fitting and internal stem be aligned correctly. One of the 5 internal stem holes must face direction of umbrella.



2 Dig an approximate 60cm/2ft. deep by 90cm/ 3ft. wide hole. Insert in-ground fitting and pour mixed concrete into hole around fitting. Make sure in-ground plate is level.
Note: Do not get slurry in the screw threads. Either apply tape over the holes on both sides of the fitting or place the stem bolts in the threads and remove them when the concrete is almost set.

3 Once concrete has cured, attach internal stem to in-ground fitting using (5) stem bolts and allen wrench. Note: Internal stem and stem bolts are included with the umbrella. Make sure internal stem is aligned correctly.

4 Slide internal stem cover over internal stem (optional). Refer to umbrella manual for further installation instructions.



DISCLAIMER:
ALL MOUNT KITS SHOULD ONLY BE PROFESSIONALLY INSTALLED BY A LICENSED CONTRACTOR DULY QUALIFIED TO PERFORM THE INSTALLATION. JARDINICO® ASSUMES NO LIABILITY AND EXPRESSLY DISCLAIMS ANY RESPONSIBILITY FOR INJURIES OR DAMAGES ARISING FROM OR RELATED TO THE FAILURE OF BUYER TO HAVE ANY MOUNT KIT INSTALLED BY A LICENSED PROFESSIONAL CONTRACTOR. JARDINICO MAKES NO WARRANTY EXCEPT AS EXPRESSLY STATED HEREIN, AND NO WARRANTY EXCEPT TITLE TO MATERIALS FURNISHED SHALL BE IMPLIED WITH RESPECT TO THIS ORDER.

DISCLAIMER OF WARRANTIES: EXCEPT AS HEREIN EXPRESSLY SET FORTH, THIS PRODUCT IS SOLD "AS IS" AND "WITH ALL FAULTS", AND WITHOUT ANY IMPLIED WARRANTY OF MERCHANTABILITY -- WHICH WARRANTY IS HEREBY EXPRESSLY EXCLUDED. THIS PRODUCT IS SOLD WITHOUT ANY IMPLIED WARRANTY OF FITNESS FOR A PARTICULAR PURPOSE -- WHICH WARRANTY IS HEREBY EXPRESSLY EXCLUDED. MOREOVER, THERE ARE NO WARRANTIES WHICH EXTEND BEYOND THE DESCRIPTION ON THE FACE HEREOF."