

+



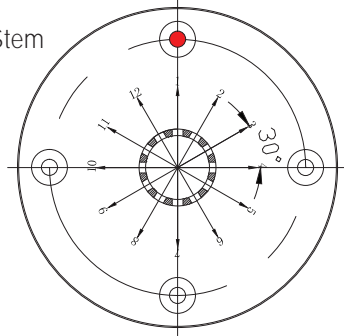
4x

+

1

To achieve the exact desired position of the JCP501, it is imperative that the installation fitting and internal stem be aligned correctly. One of the 4 internal stem holes must face direction of umbrella.

Internal Stem



In-Ground Mount

