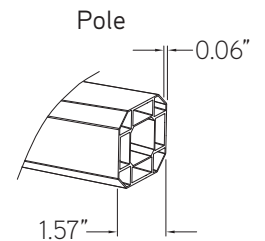
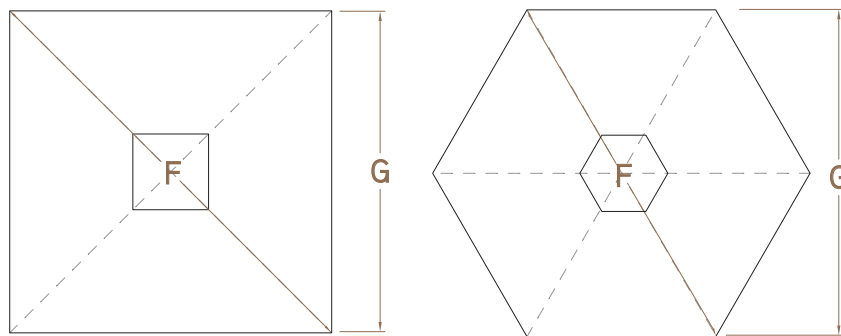
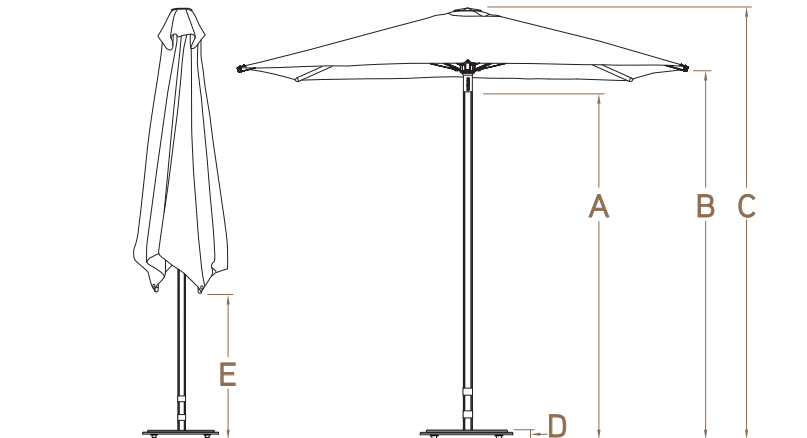
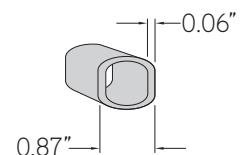


## JCP.101 Specifications

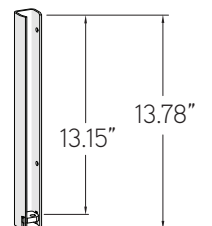


Pole



Rib

Base Stem  
 (included with base)



Key	Description	JCP101-23S SQUARE 7.5 ft.   2.3m	JCP101-28 HEXAGON 9 ft.   2.8m
<b>A</b>	Lower Hub HEIGHT (Open)	6.58 ft.	6.94 ft.
<b>B</b>	Rib End HEIGHT (Open)	6.69 ft.	7.08 ft.
<b>C</b>	Overall HEIGHT	7.71 ft.	7.90 ft.
<b>D</b>	Base HEIGHT	3.50 in.	3.50 in.
<b>E</b>	Rib End HEIGHT (Closed)	2.26 ft.	3.35 ft.
<b>F</b>	Canopy LENGTH (Diagonal)	10.67 ft.	9.31 ft.
<b>G</b>	Canopy WIDTH	7.58 ft.	8.10 ft.

Note: Measurements include JCB101 Base.